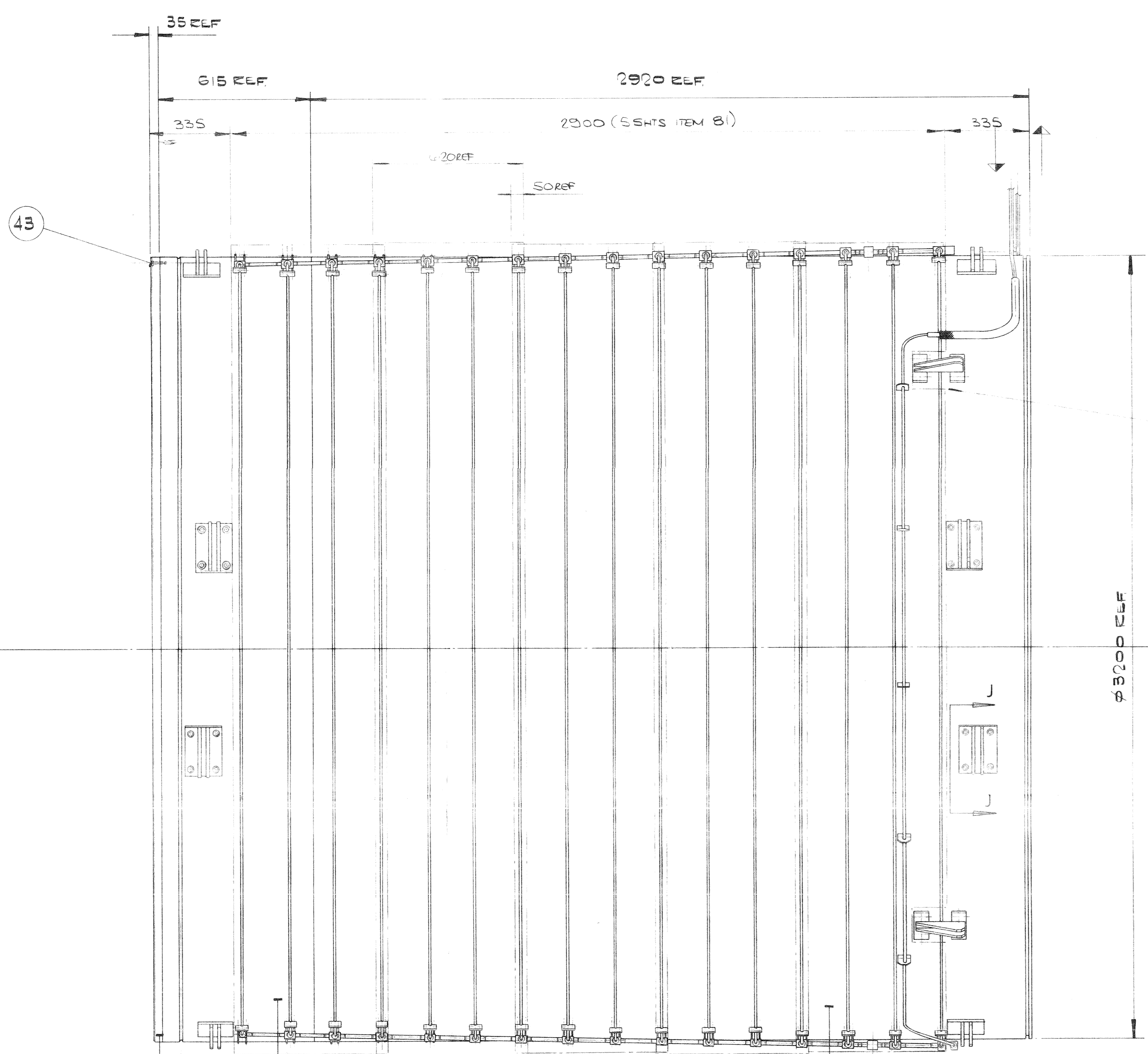
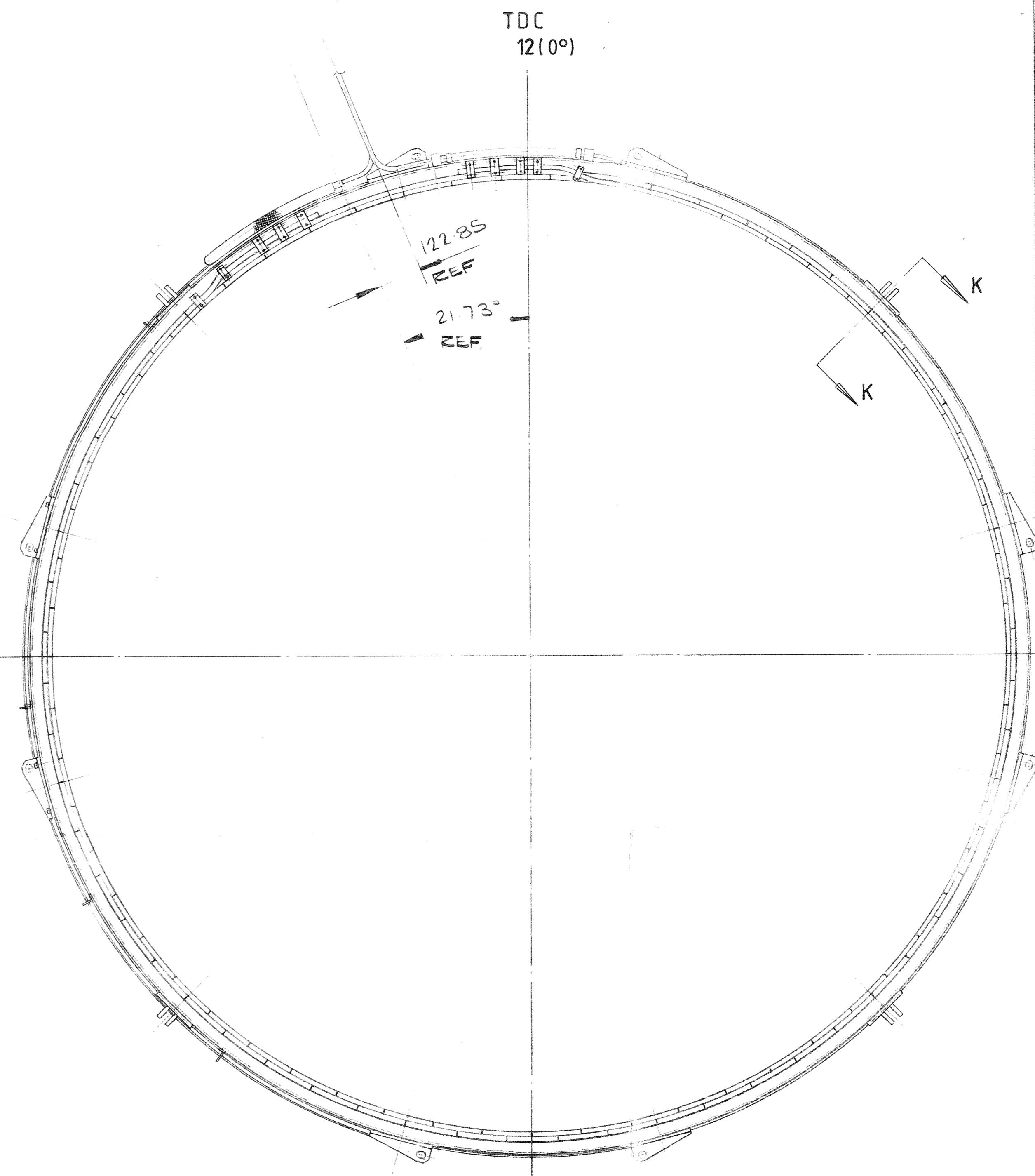


PART NUMBER	ITEM NO.	DESCRIPTION	REMARKS	MAT'L	QUANTITY FOR ASSY.
AJE0088	34	COIL SHELL UPPER			
AJE0088	35	COIL SHELL LOWER			
AJE0088	36	COIL SHELL END FLANGE			
BJE0085	37	RADIAL SUPP BKT			
BJE0086	38	AXIAL SUPP BKT			
BJE0086	39	DOWEL			
F550079	40	HLV SCE M12 x 40		ST ST	
FSW0008	41	80 PLAIN WASHER M12		ST ST	
FSJ0632	42	WIRE		ST ST	3.60M
	43	SOC HD CAP SCE M12 x 45		ST ST	
BJE0086	44	BRANCH PIPE		ST ST	
BJE0086	45	BRANCH PIPE		ST ST	
BJE0086	46	BRANCH PIPE		ST ST	
BJE0086	47	BRANCH PIPE		ST ST	
BJE0086	48	BRANCH PIPE		ST ST	
BJE0086	49	BRANCH PIPE		ST ST	
BJE0086	50	SASH ROD		ST ST	
BJE0086	51	SASH ROD		ST ST	
BJE0086	52	SASH ROD		ST ST	
BJE0086	53	SASH ROD		ST ST	
BJE0086	54	SASH ROD		ST ST	
BJE0086	55	SASH ROD		ST ST	
BJE0086	56	PIPE ELB TANGENT		ST ST	
BJE0086	57	PIPE CLAMP		ST ST	
BJE0086	58	HOSE CLAMP LOWER		ST ST	
BJE0086	59	HOSE CLAMP UPPER		ST ST	
BJE0086	60	PIPE SUPPORT		ST ST	
BJE0086	61	FLEX HOSE ASSY		ST ST	
BJE0086	62	FLEX HOSE ASSY		ST ST	
BJE0086	63	FLEX HOSE ASSY		ST ST	
BJE0086	64	EQUAL TEE		ST ST	
BJE0086	65	ELBOW		ST ST	
BJE0086	66	ELBOW		ST ST	
BJE0086	67	PIPE SADDLE		ST ST	3.60M
	68	PIPE 3 400.5 6 10		ST ST	3.60M
	69	DISC SPRING ANACO		3.00	
	70	DISC SPRING ANACO		3.00	
FSN0006	71	HEX NUT M8			
FSW0006	72	PLAIN WASHER M8			
BJE0086	73	TEE			
F550079	74	SOC HD CAP SCE M6 x 20			
F550079	75	SOC HD CAP SCE M6 x 60			
	76	3 WIRE x 0.25T			2000M
	77	ALUM FOIL			200M
	78	INDUM FOIL			200M
	79	HOSE CLAMP LOWER			
	80	HOSE CLAMP UPPER			
FSW0006	81	SOC HD CAP SCREEN M6 x 50			
	82	AL SHEET 0.5mm x 600x600			85M
	83	POP RIVET			
	84	AL FOIL			
	85	SOEB			2



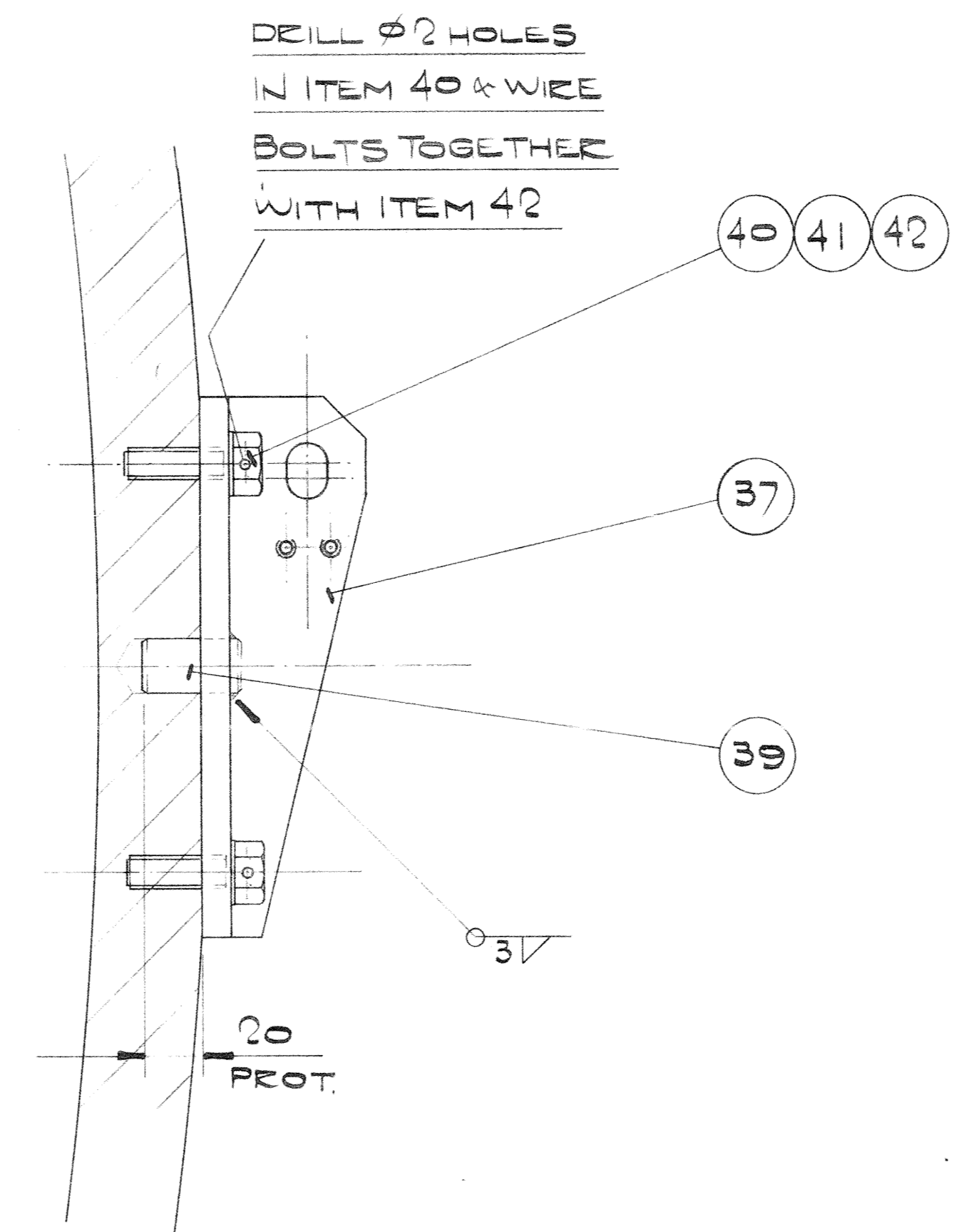
CUT ITEM 81 AWAY AS REQUIRED AROUND BKTS TYPICAL 4 POSITIONS



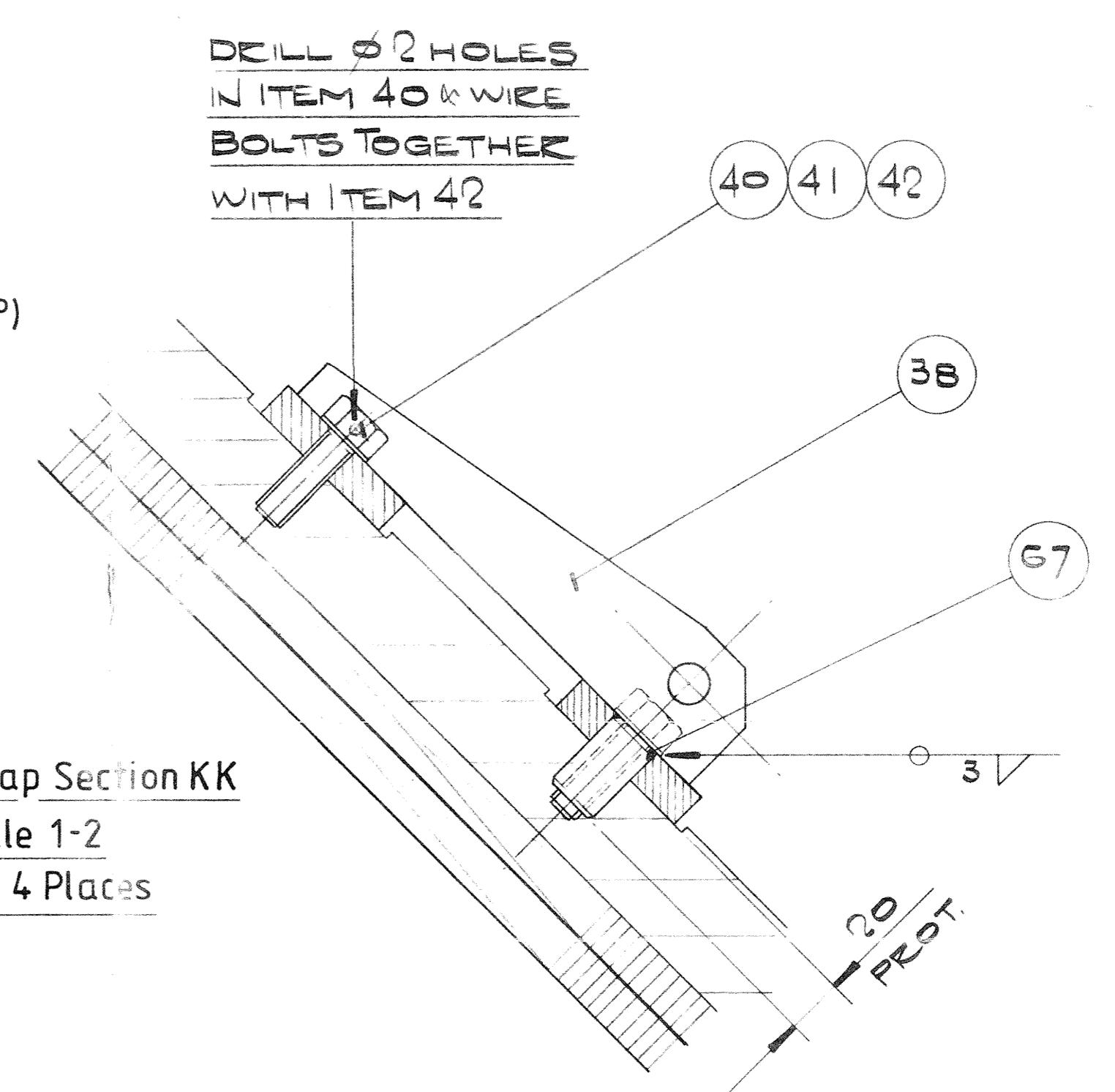
- 36
- 35
- 34
- 33
- 31 5 SHTS WRAPPED AS SHOWN WITH 50mm OVERLAP SEE ALSO SECTIONS MM & SS ON SHEET 6
- 33 END BAUDS (i.e. 33S) TO BE WRAPPED WITH AL FOIL SHT & TAPED

For Development Of Cooling Circuit See Sheet 5

Scrap Section JJ
Scale 1-2
Typ 16 Places



Scrap Section KK
Scale 1-2
Typ 4 Places



ISSUE	DATE	CHANGE NO.	ISSUE	DATE	CHANGE NO.

TOLERANCES		TITLE	
METRIC	IMPERIAL	COIL ASSEMBLY	
X ± 0.5	XX ± 0.05	CLEO II	
XX ± 0.3	XXX ± 0.010		
XXX ± 0.1	XXXX ± 0.005		
DRN	CHKD	APPD	DIMENSION'S IN
REL			THIS DRAWING BELONGS TO OXFORD INSTRUMENTS LIMITED AND IS ISSUED ON CONDITION THAT IT IS NOT COPIED, REPRODUCED OR DISCLOSED EITHER IN WHOLE OR IN PART TO A THIRD PARTY WITHOUT THE CONSENT IN WRITING OF OXFORD INSTRUMENTS LIMITED
DATE	DATE	DATE	SCALE
3.5.80	12/6/80		1:10

OXFORD
Oxford Instruments Limited
Osney Mead
Oxford OX2 0DX
England

DRAWING NUMBER
AJE0088
SHEET 4 OF 6